

LASING COVER
 ORDERED BY B.M.
 5777/MC-4538/E

4XMM2.5 10 DEEP
 LOCATE FROM
 LT. #22-1
 4XMM2.5 9*40/30 10
 4XMM2.5 9*40/30 10
 4XMM2.5 9*40/30 10
 4XMM2.5 9*40/30 10

SEE NOTE #5
 SEE 5 9#

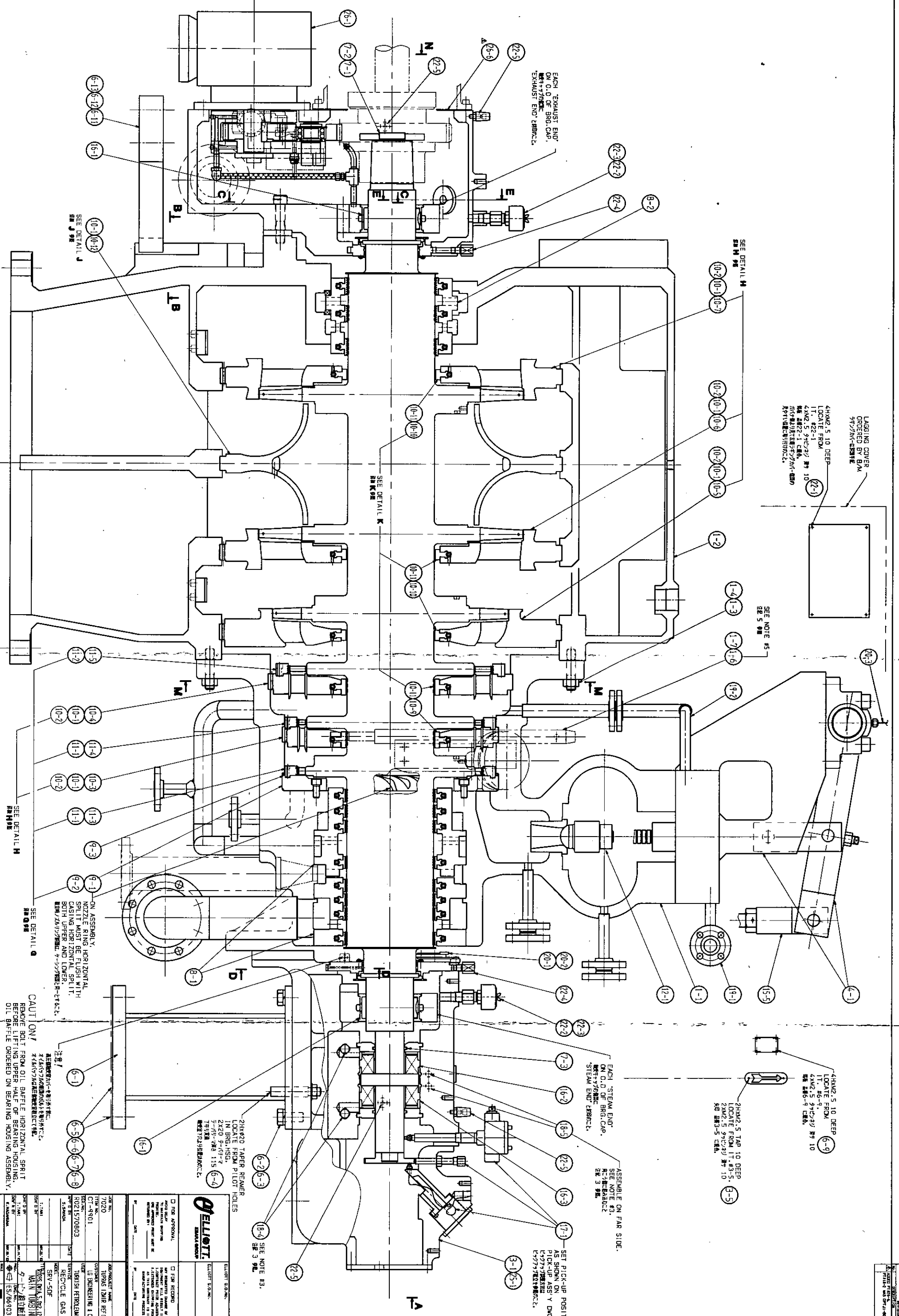
4XMM2.5 10 DEEP
 LOCATE FROM
 LT. #6-9
 4XMM2.5 9*40/30 10
 4XMM2.5 9*40/30 10

2XMM2.5 TAP 10 DEEP
 LOCATE FROM LT. #3-5
 2XMM2.5 9*40/30 10
 2XMM2.5 9*40/30 10

ASSEMBLE ON FAR SIDE.
 SEE NOTE #3.
 SEE 3 9#

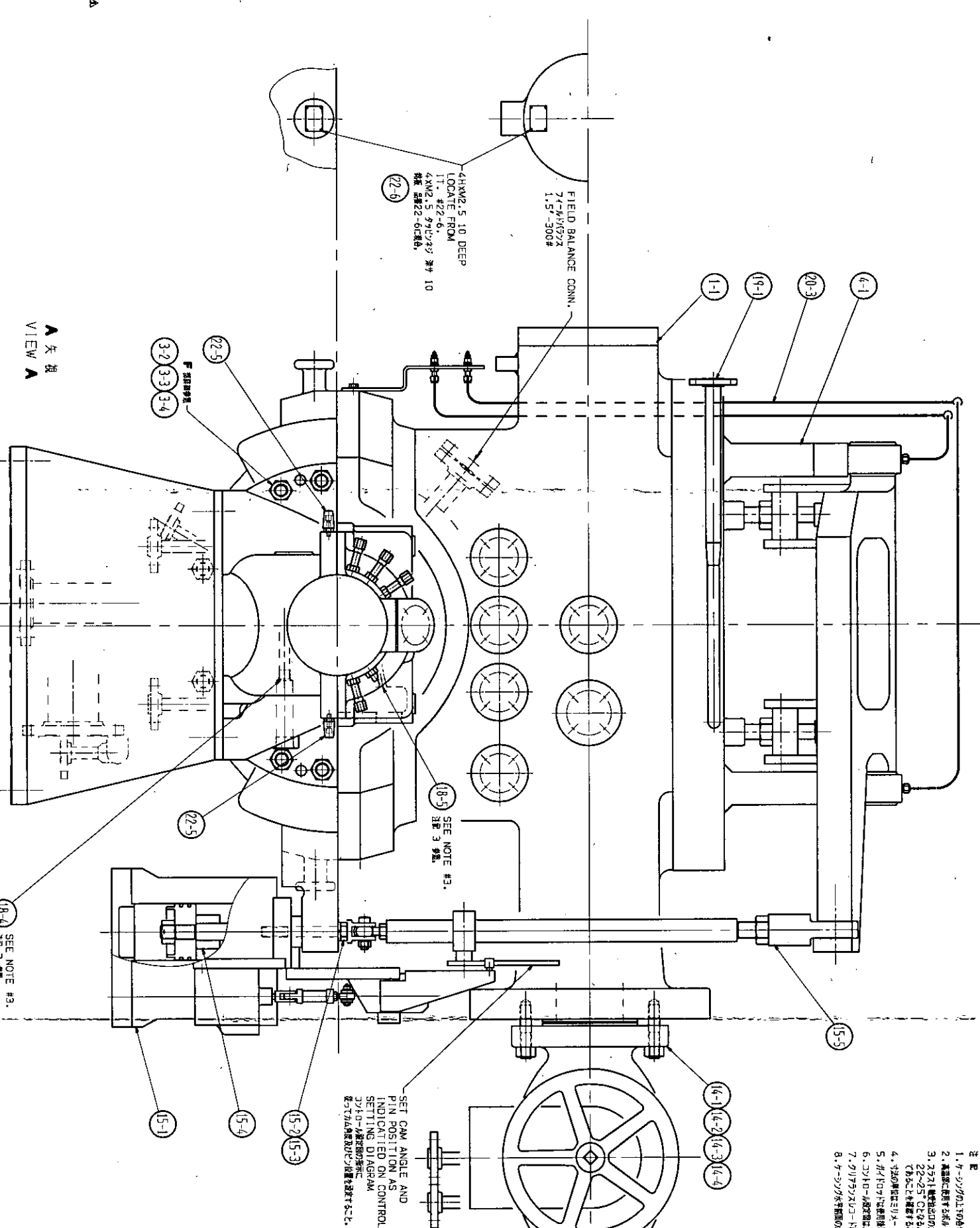
EACH "STEAM END"
 ON O.D. OF BRG. CAP.
 4XMM2.5 9*40/30 10
 STEAM END ASSEMBLY.

EACH "EXHAUST END"
 ON O.D. OF BRG. CAP.
 4XMM2.5 9*40/30 10
 EXHAUST END ASSEMBLY.



QTY/SET 1組/個	PART NAME 部品名	NO. 番	EBARA PARTS NO. 部品番号	DESCRIPTION 記
1	CARBON BRUSH ASSY 炭素ブラシ組立	20-1	EB631227-17	
1	CARBON BRUSH ASSY 炭素ブラシ組立	20-2	EB631227-18	
1	LIBRATION PART 列位調整部	20-3	EB671759-16	
1	NAME PLATE 銘板	22-1	EB662376-1	
2	ADAPTER 変換板	22-2	EB633074-1	
2	AIR BREAKER 空気ブレーキ	22-3	AP-06-150WEL	φ6.3mm
2	DRIFICE ADAPTER ドリフトアダプタ	22-4	EB643414-3	
6	ALIGNMENT TOOL 列位調整工具	22-5	P255B063	FLAT
7	CAUTION PLATE 注意板	22-6	P6200B09-1	
4	CAUTION PLATE 注意板	22-7	P6200B013-1	
1	DETECTOR ASSY 検出器組立	25-1	EB671817-10	STEAM END
1	DETECTOR ASSY 検出器組立	25-2	EB671818-10	EXHAUST END
1	TURNING GEAR UNIT 回転歯車ユニット	26-1	FT-A08035	SIMPO
4	SCREW CAP FM61X35 ZN-W8	26-2	FM-A08035	
4	WASHER ZN-W8	26-3	ZN-A08	
1	SHIM 26-4	26-4		
1	LIMIT SWITCH ASSY 限位スイッチ組立	26-5	EB652739-GR.1	WARNING ISOLATION
1	PLATE PART 497710-1	26-6	EB643425-1	1-3.0
50	TURBINE ASSEMBLY 9-C-2組立	50	EB690313-50	

QTY/SET 1組/個	PART NAME 部品名	NO. 番	EBARA PARTS NO. 部品番号	DESCRIPTION 記
1	CASING ASSEMBLY ケーシング組立	1-1	EB620678-60	STEAM END
1	CASING ASSEMBLY ケーシング組立	1-2	EB621720-25	EXHAUST END
40	STUD FM24STX10S	1-3	FST-H2410S	
4	STUD FM24STX90	1-4	FST-H24090	
2	GUIDE ROD FK109F	1-5	GT203086-1	STEAM END
2	NUT FM24N	1-7	FM-A24	STEAM END
2	GUIDE ROD FK109F	1-8	BR45150-9	EXHAUST END
1	BRG. HSG. ASSY 軸受組立	3-1	EB641583-310	STEAM END
6	WASHER LOCK ZRB-M30	3-2	FSK-H30115	
2	PIN DOWEL 3-3	ZRB-V30		
1	ARRROW ROTATION 矢印回転	3-4	BR45906-16	
1	BRG. HSG. ASSY 軸受組立	3-5	YA-980	
4	SCREW CAP BSH-M2X80	3-7	EB641787-60	EXHAUST END
2	SCREW CAP BSH-M2X105	3-8	BSH-H24080	
2	PIN DOWEL 3-10	BR45906-40		
1	WIRE 3-11	WAR-1.2X5M	WAR-B1205	
1	SIM. OREST COVER ASSY 模擬カバー組立	4-1	BS64467-27	INLET
1	SUPPORT 支柱	6-1	BS67661-5	STEAM END
6	STUD FM24TX55	6-2	FT-A24055	
6	WASHER LOCK ZR-M24	6-3	ZR-U24	
2	PIN TAPER BST-20X100	6-4	BST-H20100	
1	SHIM 6-5	EB642128-GR.1		STEAM END
4	STUD FM361X75	6-6	FT-A36075	
4	PIN TAPER BST-20X90	6-7	BST-H20090	
2	SCREW WACK STB-M22X70	6-8	STB-A22070	
1	CAUTION PLATE 注意板	6-9	EB663085-1	FOR OIL BAFLE
1	SUPPORT ASSY 支柱組立	6-10	EB641777-GR.3	EXHAUST END
1	KEY PLATE 3-71-1	6-11	EB622827-1	EXHAUST END
2	PIN TAPER BST-16X85	6-12	BST-H16085	
4	STUD FM24TX95	6-13	FT-A24095	
1	ROTOR ASSY 0-9-組	7-1	EB600459-40	
1	COUPLING NUT 7-710771-1	7-2	P28F16	4.5T. CW
1	OIL SEAL RING 7-710771-1	7-3	AG35647-40	
1	PACKING ASSY 密封組立	8-1	EB632323-GR.1	STEAM END
1	PACKING ASSY 密封組立	8-2	EB632325-GR.1	EXHAUST END
1	NOZZLE RING ASSY 7-24017組立	9-1	EB611663-3	
26	SCREW-CAP BSH-M16X35	9-2	BSH-H16035	
2	CAULKING BAND 7-710771-1	9-3	AG38182-23	
24	SCREW SET CS-M12X45	10-1	CS-H1245	
5	SHIM DIAPHRAGM 9-477487-A	10-2	EB613027-4	
1	DIAPHRAGM ASSY 9-477487組立	10-3	EB610937-101	2ND.
1	DIAPHRAGM ASSY 9-477487組立	10-4	EB610938-112	3RD.
1	DIAPHRAGM ASSY 9-477487組立	10-5	EB610939-6	4TH.
1	DIAPHRAGM ASSY 9-477487組立	10-6	EB610940-6	5TH.
1	DIAPHRAGM ASSY 9-477487組立	10-7	EB610941-6	5TH.
2	SEAL DIAPHRAGM 9-477487-A	10-8	EB632328-10	2ND., 3RD.
3	SEAL DIAPHRAGM 9-477487-A	10-10	EB632329-10	4. 5TH. 5TH.
10	SPRING 7-710771-1	10-11	AG5312-11	
1	DIFUSER 7-710771-1	10-12	EB621728-8	
24	SCREW CAP BSH-M6X35	11-1	BSH-H106035	1ST., 2ND.
8	SCREW CAP BSH-M10X35	11-2	BSH-H10035	3RD.
1	SEAL RING ASSY 9-477487組立	11-3	EB631592-5	1ST.
1	SEAL RING ASSY 9-477487組立	11-4	EB630910-62	2ND.
1	SEAL RING ASSY 9-477487組立	11-5	EB630913-65	3RD.
1	VALVE & STAYS ASSY 調整弁及保母組立	12-1	EB651492-GR.1	INLET
1	TIE VALVE ASSY 主要配管保母組立	14-1	EB650051-102	67-600MM
1	GASKET 14-1	GP9-EB650051-102		VB9596
1	LIMIT SWITCH ASSY 9-517474組立	14-3	EB652723-GR.22	WARNING ISOLATION
1	SPRING SUPPORT 7-710771-1組立	14-3	EB652143-10	
1	SENO MOTOR ASSY 9-477487組立	15-1	BS65944-GR.3	ST. VALTER
2	STUD FM24TX180	15-2	FT-H24180	
2	WASHER LOCK ZR-M24	15-3	ZR-U24	
1	SPACER 15-4	AG47024-45		
1	LINKAGE ASSY 7-710771-1組立	15-5	BT10159-GR.15	
2	JOURNAL BRG. ASSY 9-477487組立	16-1	EB641793-17	5. 0X2. 125T. JNL.
1	THRUST BRG. ASSY 7-710771-1組立	16-2	EB641791-13	16. 750. IN. -ACT.
1	THRUST BRG. ASSY 7-710771-1組立	16-3	EB641792-17	16. 750. IN. -INACT.
1	PICK-UP ASSY 7-710771-1組立	17-1	EB671819-203	STEAM END
2	SPRING PRT ASSY 調整部7-710771組立	17-2	EB670045-GR.53	EXHAUST END
1	PLATE ORIFICE 497710-1	18-1	OPT-01-B0060068	TAG-NO. FT-616
1	PLATE ORIFICE 497710-1	18-2	OPT-01-B0060110	TAG-NO. FT-615
2	CHAIN, SASH 43106	18-3	P31129312	
2	PLUG ORIFICE OPN-3/8X8.1	18-4	OPN-EO6005	THR., INLET
1	PIPING VALVE LEAK 調整部7-710771組立	19-1	EB672899-10	OUTER
1	PIPING VALVE LEAK 調整部7-710771組立	19-2	EB673033-10	INNER



NOTE

1. APPLY PASTE TYPE GASKET (COPALITE) TO STEAM CASING JOINTS.
2. APPLY ANTI SEIZE LUBRICANT TO THE SCREW THREADS SUBJECTED TO HIGH TEMPERATURE.
3. THRUST BRG. ORIFICE DISCHARGE SIZE MAY HAVE TO BE ADJUSTED ON TEST FLICOR TO MAINTAIN A TEMP. RISE OF 22-23°C AT DESIGN SPEED.
4. ALL DIMENSIONS ARE IN MILLIMETERS.
5. GUIDE RODS MUST BE REMOVED.
6. GUIDE RODS TO BE SHIPPED SEPARATE.
7. FOR CONTROL SETTING DIAGRAM SEE DWG. #ES/8651493.
8. FOR CLEARANCE RECORD SEE DWG. #ES/8691252.
9. TIGHTEN BOLTING PER SEQUENTIAL BOLTING DIAGRAM DWG. #ES/8621719.

注

1. 蒸気ケーシングの接合部にペースタイプシール材(コパライト)を塗布してください。
2. 高温に曝されるボルト・ナットの接合部にアンチシージング潤滑剤を塗布してください。
3. 22-23°Cの温度上昇を維持するために試験機での吐出量を調整する必要がある場合があります。
4. 全ての寸法はミリメートルで示されています。
5. ガイドロッドは取り外しする必要があります。
6. ガイドロッドは別送する必要があります。
7. 制御設定図は図面番号 ES/8651493 を参照してください。
8. クリアランス記録は図面番号 ES/8691252 を参照してください。
9. ボルト締め順序は図面番号 ES/8621719 を参照してください。

ELLIOTT ENERGY SERVICES

FOR APPROVAL

FOR RECORD

DATE: 7/20/02

PROJECT: TURBINE MAIN ASSEMBLY

REVISION: 1

SCALE: 1:1

DATE: 7/20/02

PROJECT: TURBINE MAIN ASSEMBLY

REVISION: 1

SCALE: 1:1

DATE: 7/20/02

PROJECT: TURBINE MAIN ASSEMBLY

REVISION: 1

SCALE: 1:1

